

Project 3 series: Bag

Materials

- cotton fabric, fake suede and a small piece in purple and deco fabric for appliqué
- 2 buttons (approx. 20mm)
- 1 zipper (20 cm)
- 9 cm cotton tape for label (2 cm wide)
- sewing thread
- contrasting embroidery thread
- fusible webbing
- tear away stabilizer
- adhesive spray
- small embroidery scissors, fabric scissors
- a compass



Cut out to size

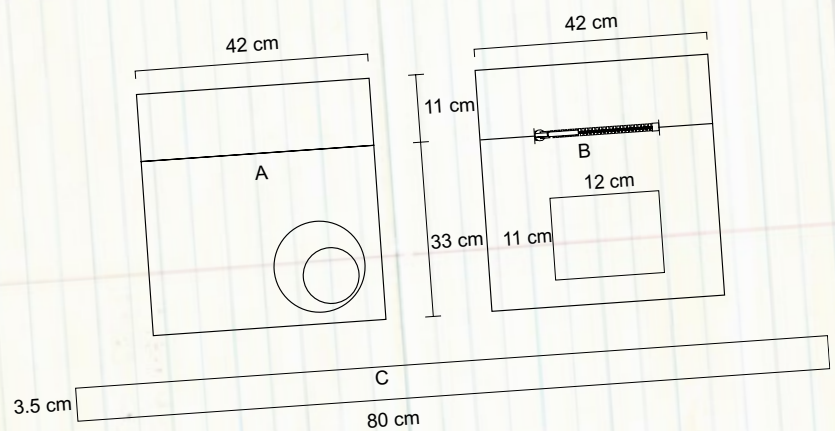
Finished measurements

(all seam allowances have to be added)

A = Front piece

B = Back piece

C = Handle



Cut the pieces according to the plan, adding 1.5 cm seam allowances. The border piece up at the bag opening is folded towards the inside and therefore needs to be cut out 22 x 42 cm. Cut also the handle double, so that the finished width is 3.5 cm.

In addition, cut out one black rectangular piece, 25 x 25 cm for the inner zipper pocket and one piece, 13 x 15.5 cm (seam allowances included) for the outside pocket.



Watch our tutorial video clips on www.bernina.com/3eries!

Sewing

Edges:

- Overcast all edges (except handle) with zig-zag No. 2 and Foot No. 2 (or No. 1).

Border:

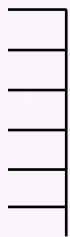
- Sew the border right on right side to the front piece. As the zipper will be inserted at the back piece, sew this seam as follows: begin sewing at both edges for 8 cm and secure the ends. Close the 16 cm in the middle with the longest possible straight stitch (basting). Insert zipper.
- Attach the inner bag to the seam allowance of the zipper.



Video 1

Appliqué:

- Prepare the circles with fusible webbing. Sew one circle (Foot No. 20) with the blanket stitch (stitch length: basic setting, stitch width: 5), then sew the other circle with the feather stitch (stitch length and -width: basic setting) a little staggered.



Blanket stitch
380: Stitch No. 108
350/350PE: Stitch No. 79
330: Stitch No. 39



Feather stitch
380: Stitch No. 110
350/350PE: Stitch No. 81
330: Stitch No. 40



Video 2

BERNINA-Label:

- Fix the tape with adhesive spray onto tear away stabilizer, program the word „BERNINA“ into the memory and sew it onto the ribbon (Foot No. 1). Fold the edges inwards and sew the label under the border.



Video 3

Set up of outer pocket:

- Decorate the lower right corner with decorative stitches (Foot No. 20, using functions as pattern end and mirror). Make a hem at the opening edge of the bag with the blind hem stitch No. 7 and Foot No. 5. Iron all seam allowances to the inside, pin the pocket onto the back side and edge stitch it with the straight stitch (Foot No. 5, Needle Position to the far left). Be careful not to catch onto the inner zipper pocket.

TIP: Use function „needle down“, so the needle remains in the fabric and the project can be turned without it moving.

Handle:

- Fold the fabric-strip lengthwise in half (right sides inwards), sew the long and one short side of the handle and turn it. Topstitch all sides. Starting at the closed edge, work two buttonholes in a distance of 2 and 6 cm.



Video 4

- Sew on the buttons with the button sew on program, approximately 3 cm under the border and 6 cm from the left edge. Use Foot No. 1 or No.18 (optional).
- Sew handle onto the back side of the bag with the Darning program approximately 3 cm above the border line and near the zipper.



Video 5

Construction of the bag:

- Put the bag's front- and back side onto each other (right side inwards) and close the seams. Do not fold the borders yet and pay attention that the lines match. Turn bag to the outside.
- Iron the allowances of the border and fold it to the inside. The border must cover the seam a little. Now sew it in the seam lines (between bag and border), starting at the end of the zipper and ending at the beginning of the zipper. Sew the part where the zipper is by hand (invisible).

The bag in the video sequences is a variation using different colors and in a smaller size.

